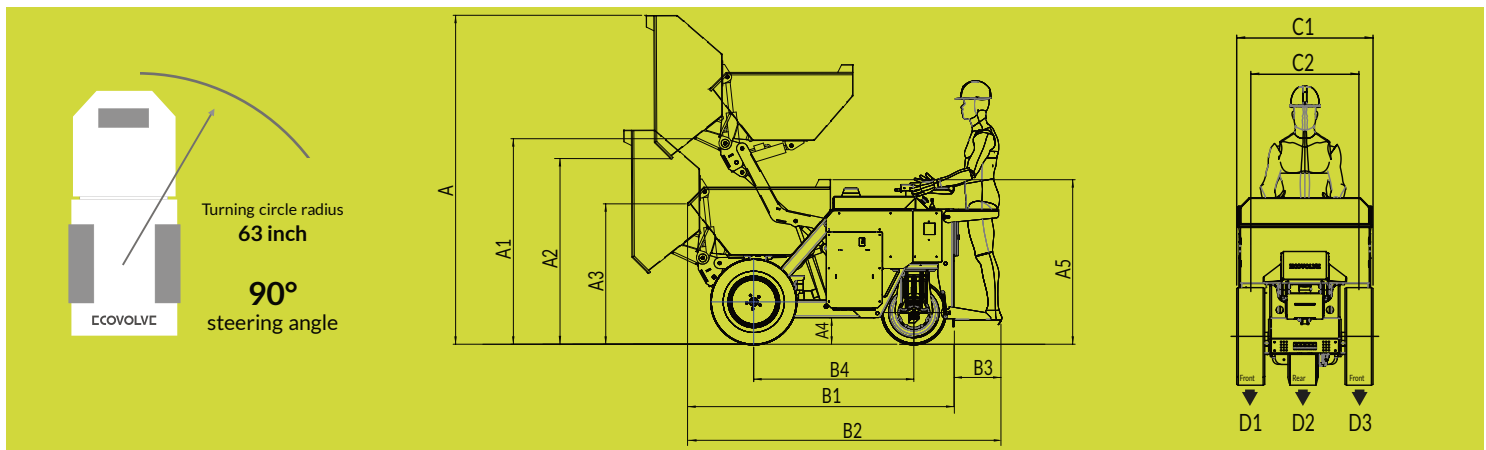
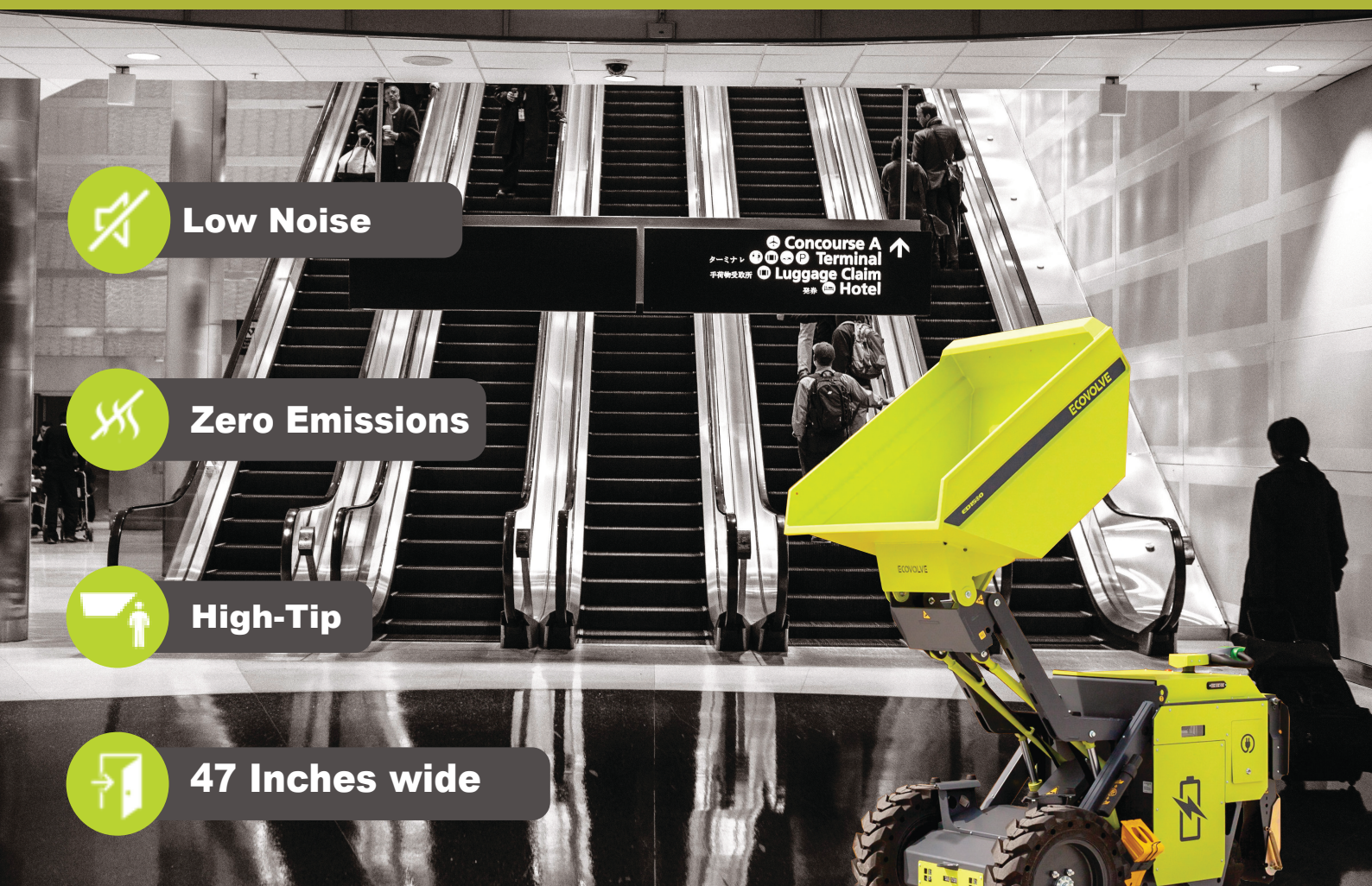




		ED800	ED1000	ED1500
Capacity	Max safe load (Lbs)	1763	2200	3300
	Unladen weight (Lbs)	2645	2645	3300
	Skip - Levelled (Cubic feet)	12	15	20.3
	- Heaped (Cubic feet)	17	21	28.2
	- Water level (Gallons)	60	83	121
Drive	Drive type	1 wheel drive	1 wheel drive	3 wheel drive
	Steering	1 wheel steer	1 wheel steer	1 wheel steer
	Speed (Mph)	0-4	0-5	0-6
	Steering angle	90°	90°	90°
	Grade ability	15°	15°	15°
Transmission	Proportional Steering	Drive	Drive	Drive
	Tires - Front (2no. Super elastic)	27x8,5x15	27x8,5x15	27x8,5x15
	- Rear (1no. Super elastic)	21x8x9	21x8x9	21x8x9
	Brakes		Dynamic electric brake	Negative parking brake
Hydraulic system	Gear pump - Flow rate (Gallon/Min)	1.45	1.45	1.72
	- Oper. pressure (PSI)	1900	1900	2100
	Pump motor (KW)	2.2	2.2	2.2
	Hydraulic tank capacity (Gallons)	0.74	0.74	1.32
Electric system	Voltage (V)	24	24	24
	Battery (KWH)	9.6	9.6	14.4
	Integrated Charging - Input (V AC)	100-240	100-240	100-240
	- Output (V DC)	50.0 A	50.0 A	100.0 A
	Recharge (Hrs)	8	8	10
Drive motor	Type		Induction motor	
	Output	5KW/7HP	5KW/7HP	5+4KW/11HP
	Emission	Zero	Zero	Zero
Noise	Driving (Db)	65	65	65
	Buzzer [adjustable] (Db)	60-80	60-80	60-80



[In]							Unladen				Laden					
	A	A1	A2	A3	A4	A5	B1	B2	B3	B4	C1	C2	D1/D3	D2	D1/D3	D2
ED800	103	64	58	44	7	51.6	81.0	94.2	13.3	47.8	31.5	23.2	617 lbs	1400 lbs	1433 lbs	1543 lbs
ED1000	103	64	58	44	7	51.6	81.0	94.2	13.3	47.8	39.0	30.8	617 lbs	1400 lbs	1433 lbs	1543 lbs
ED1500	113	70	63	44	8	52.3	88.4	101.7	13.3	52.2	46.0	38.3	827 lbs	1653 lbs	2480 lbs	1653 lbs



ED800 / 1000 / 1500 BATTERY HIGH-TIP BUGGY

The buggies are available in three different BIN capacities 17 ft³, 21 ft³ and 28 ft³ heaped. There are no emissions, low noise and the drive system significantly reduces the risk of unwanted tyre marks. What's more is that the super elastic tyres eliminate the possibility of puncture, making the ED Range suitable for both indoors and out.

The largest in the range, the ED1500, is still less than 47 inches wide with a turning circle of just 63 inches. All 3 have been designed with tight spaces in mind. The superior battery pack will provide power for a working day on just an 8-hour charge.

The compact size and turning circle means the ED can go where others can't.