

/ BROKK 70

The Brokk 70 is the perfect solution for safe and efficient demolition in confined spaces. Compared to its predecessor, the Brokk 60, the Brokk 70 has a stunning 100% more demolition capacity. Its combination of power, small size, and light weight allow for work in places where mechanized demolition has previously been impossible. Equipped with SmartPower™ and a smooth hydraulic system, the Brokk 70 features enormous power in a miniature size. With the Brokk 70, there is no need to continue using harmful hand tools.

- Weighs less than 560 kg
- 9.8 kW Brokk SmartPower™ electrical system
- Powered with only 16 A electricity fuse
- Extremely compact - gets through the narrowest doorways



Hydraulic breaker in images: BHB 105. Drum cutter in image: BDC 40.
Load and stability diagram available on request



TECHNICAL DATA

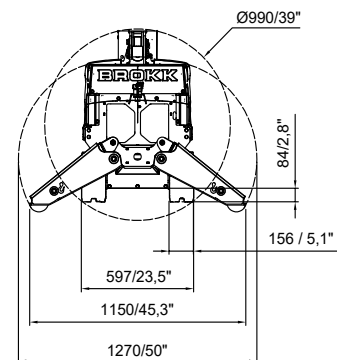
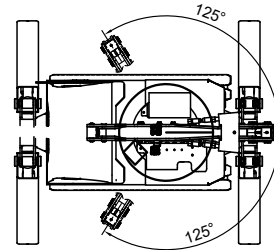
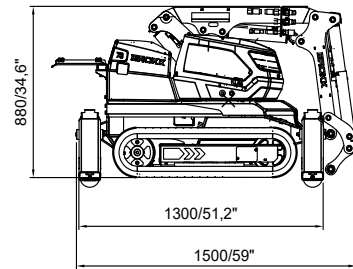
Slewing speed	6,5 sec/245°
Transport speed, max.	2.7 km/h; 1.7 mph
Climbing inclination, max.	30°
Hydraulic system capacity	27 l; 7.1 US gal
Pump type	Variable load-sensing
System pressure	17 MPa; 2466 psi
Pump flow 50Hz och 60Hz	27 l/min; 7 US gal/min
Power technology	SmartPower™
Electric motor type	ABB
Power*	9.8 kW
Recommended fuse size*	16 A
Starting device	Direct start
Control type	SmartRemote™, portable
Signal code	Digital
Transfer	Professional radio/Cable
Range, radio	Up to 300 m
Machine weight**	560 kg; 1235 lbs
Recommended attachment weight	105 kg; 231 lbs
Sound power level L_{WA}***	90 dB(A)

*Valid for 400 V/50 Hz and 440 V/60 Hz

**Excluding attachment and extra equipment

***Measured according to directive 2000/14/EC

SIZE



OPTIONS

- Extra cylinder protection
- Rubber caterpillar tracks
- Forced draft cooling for machine
- Forced draft cooling for breaker
- Steel pads
- Atomized water mist **NEW!**
- Water spray for breaker
- Extra hydraulic function
- Lifting eyes (regular lifting points are standard)
- Motion warning

RANGE

